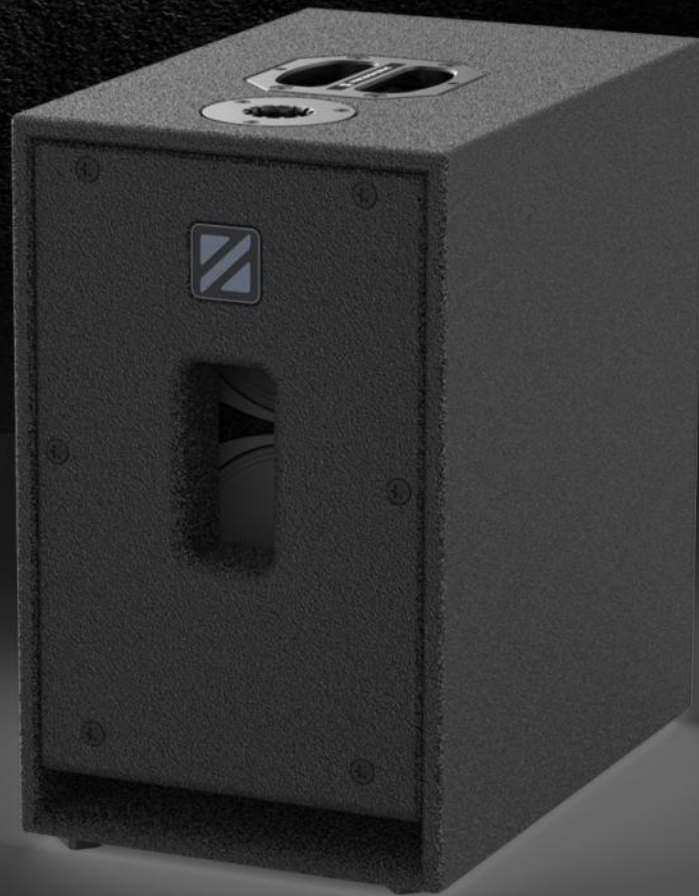


SUB 208

DESIGNED FOR  
MOBILE PERFORMANCE



PRECISION DRIVE

**BATTERY POWERED**

**SUBWOOFER**



PRECISION DRIVE

# SUPERB ACOUSTIC DESIGN

2X8" LF TRANSDUCERS IN A BANDPASS  
DESIGN FOR HIGH EFFICIENCY OUTPUT



PRECISION DRIVE

# DSP ON BOARD FOR USER FRIENDLY OPERATION

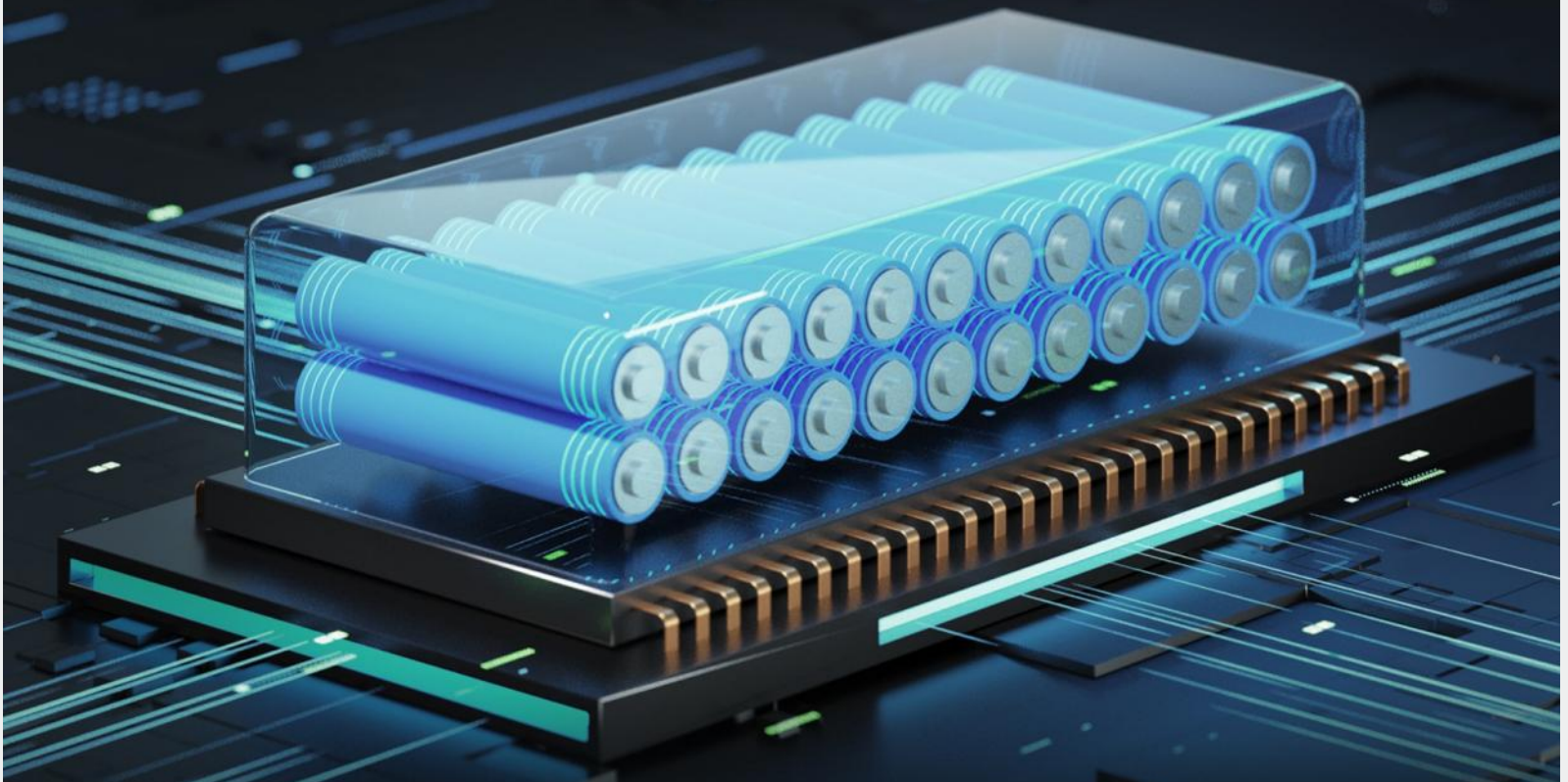
NO AUDIOABLE DISTORTION EVEN OVERLOAD



PRECISION DRIVE

**6-12 HOURS PLAY TIME**

**LITHIUM BATTERY FOR LONG PLAYTIME  
AND EXTREMELY LIGHT-WEIGHT**



PRECISION DRIVE

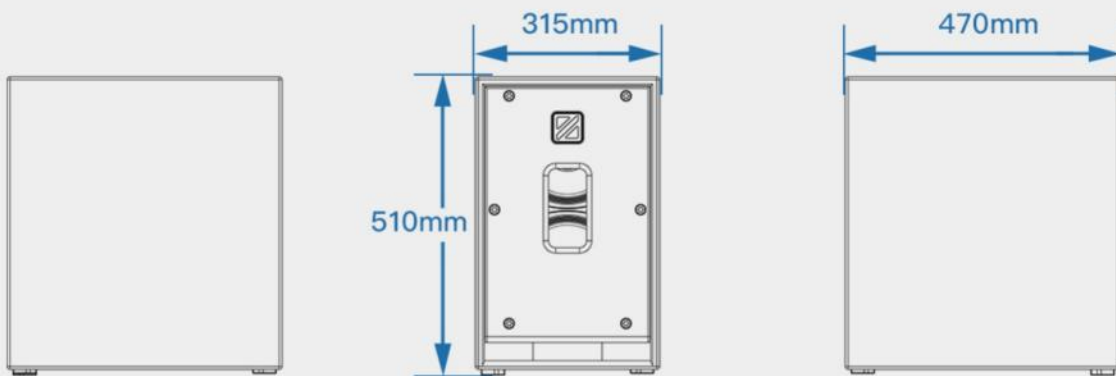
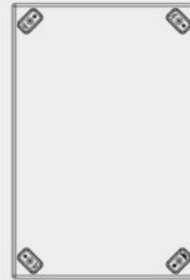
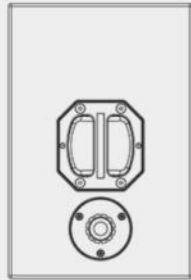


| <b>MODEL: SUB 208</b> |                                   |                    |   |
|-----------------------|-----------------------------------|--------------------|---|
| Frequency Range:      | 40Hz-150/100hz optional           | Amplification:     | 250W+250W Class D                       |
| LF:                   | Dual 8" Twin Asymmetrical loading | HF Design:         | NA                                      |
| MAX SPL:              | 124dB                             | Crossover:         | DSP                                     |
| Connection:           | XLR Input x1<br>XLR Out x1        | Fuction&effects:   | Phase control<br>100Hz/150Hz cross over |
| Battery Life:         | 6-12h                             | Battery Spec:      | Capacity: 200WH<br>Voltage: 18.5V       |
| Finish:               | Black Polyurea                    |                    |   |
| Net Weight:           | 12.5kg                            | Dimension:         | W315xD470xH510                          |
| Gross Weight:         | 15kg                              | Package Dimension: | W545xD390xH585                          |



PRECISION DRIVE

# PHYSICAL-SUB 208



Net weight: 12.5kg

Gross weight: 15kg



PRECISION DRIVE