

SUB 108

POWERFUL DEEP BASS

BATTERY POWERED SUBWOOFER



PRECISION DRIVE

DSP ON BOARD

WITH FACTORY PRESET FOR CROSS
OVER @100HZ/150HZ, MAKES 3 WAY SYSTEM
WHEN WORKS WITH K SEIRES IN HP MODE



PRECISION DRIVE

SUPERB ACOUSTIC DESIGN

8" LF TRANSDUCER IN THE BANDPASS
DESIGN FOR HIGH EFFICIENCY OUTPUT



PRECISION DRIVE

DSP ON BOARD FOR USER FRIENDLY OPERATION

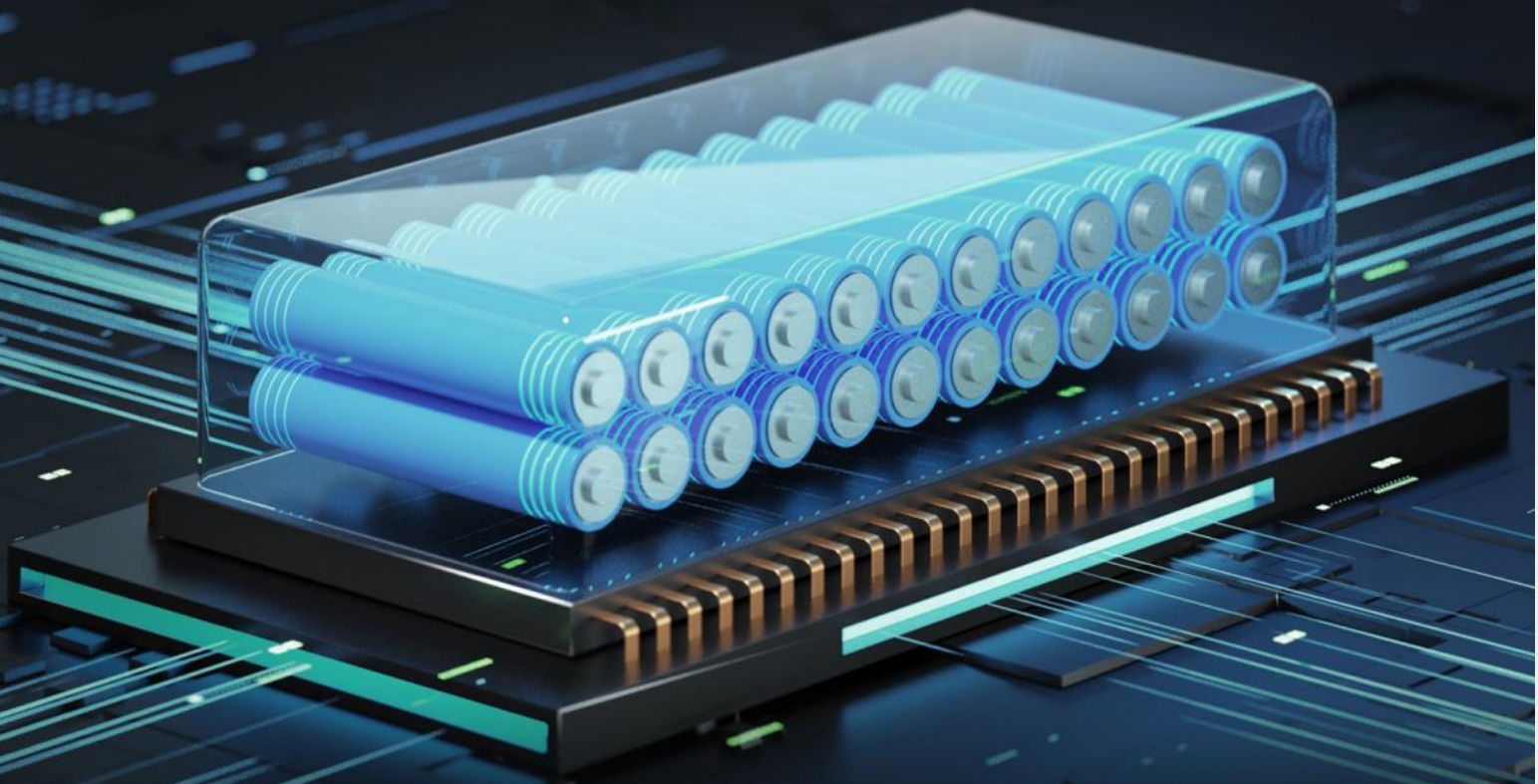
NO AUDIOABLE DISTORTION EVEN OVERLOAD



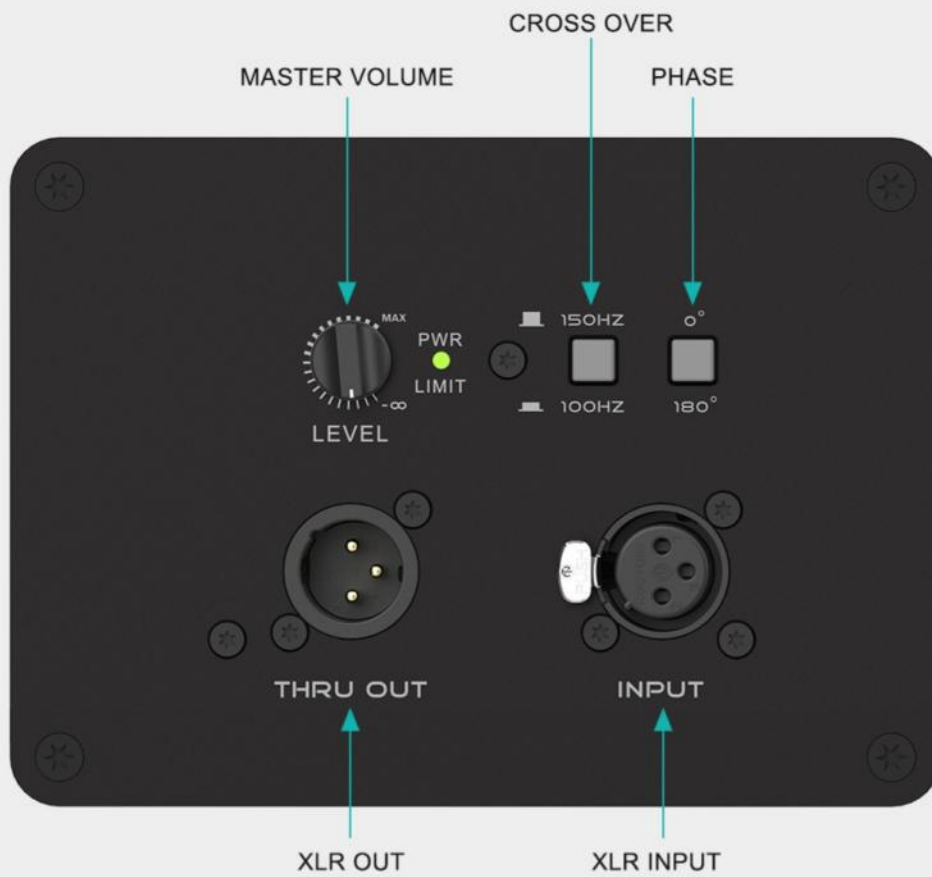
PRECISION DRIVE

6-12 HOURS PLAY TIME

**LITHIUM BATTERY FOR LONG PLAYTIME
AND EXTREMELY LIGHT-WEIGHT**



PRECISION DRIVE

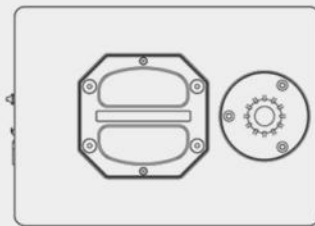
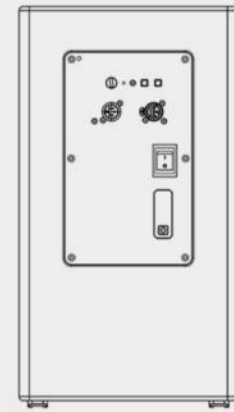
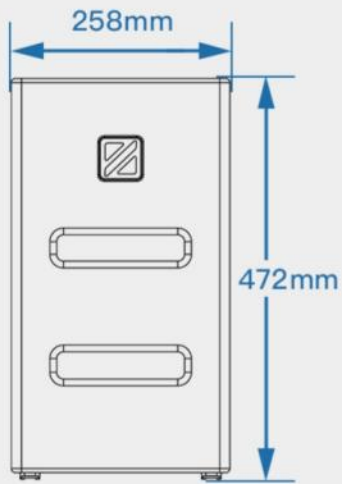
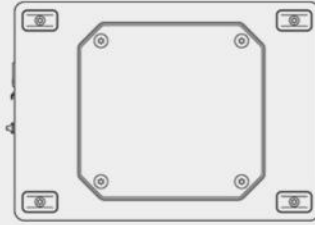


MODEL: SUB 108			
Frequency Range:	40Hz-150/100hz optional	Amplification:	250W Class D
LF:	Single 8" Twin Asymmetrical loading	HF Design:	NA
MAX SPL:	118dB	Crossover:	DSP
Connection:	XLR Input x1 XLR Out x1	Fuction&effects:	Phase control 100Hz/150Hz cross over
Battery Life:	6-12h	Battery Spec:	Capacity: 100WH Voltage: 18.5V
Finish:	Black Polyurea		
Net Weight:	9.2kg	Dimension:	W258xD360xH472
Gross Weight:	11.2kg	Package Dimension:	W435xD335xH555



PRECISION DRIVE

PHYSICAL-SUB 108



Net weight: 9.2kg

Gross weight: 11.2kg



PRECISION DRIVE