

SC1503

SMALLER, LIGHTER,
YET LOUDER

ADVANCED ACTIVE SPEAKER SYSTEM



PRECISION DRIVE

SIMPLICITY & SYSTEMATIC

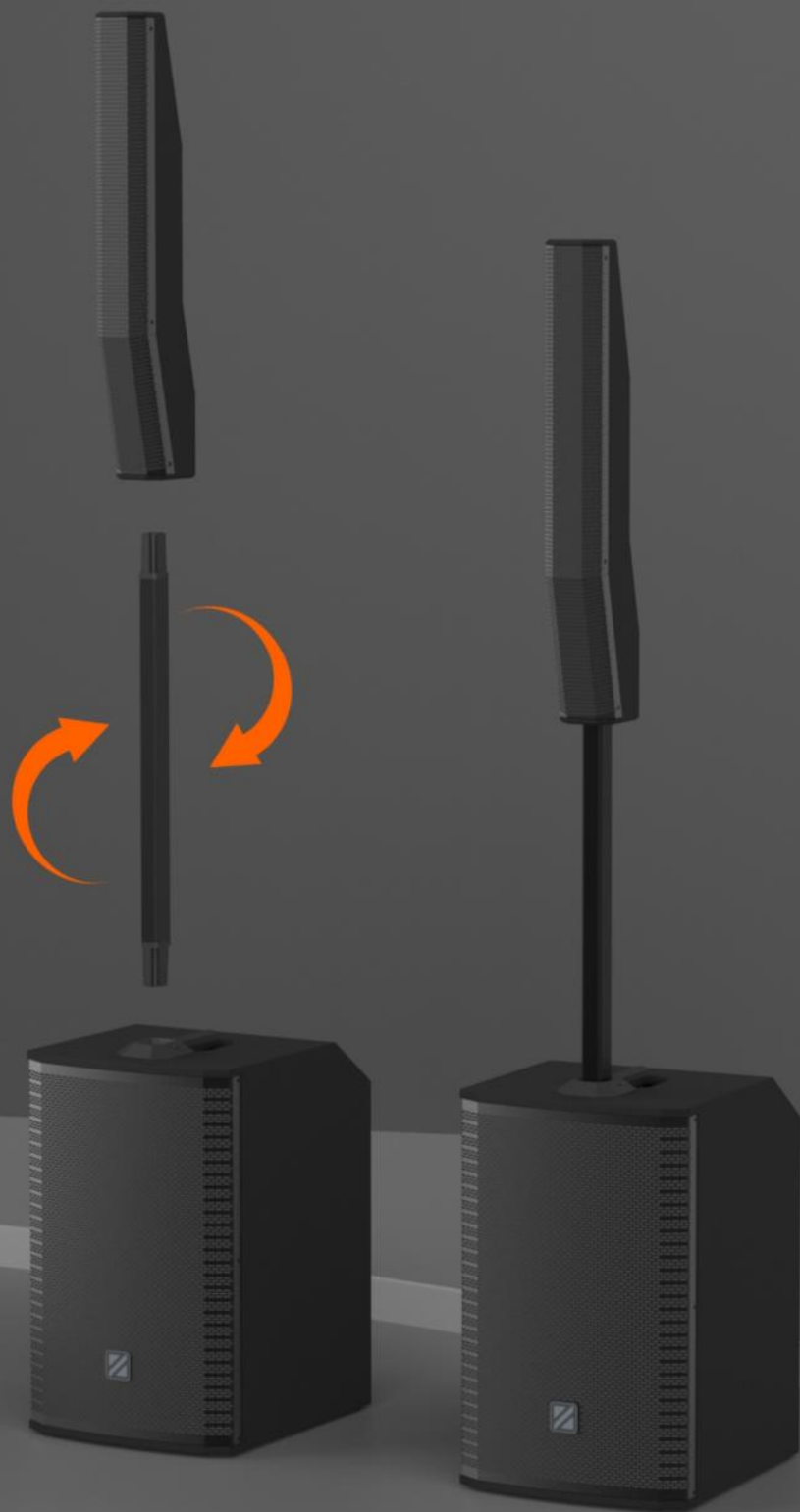
SC1203/SC1503 USING SAME DSP POWER MODULE/
SPEED CONNECTIVITY BETWEEN TOP & SUB WITHOUT
CABLE/RIGHT SYSTEM FOR STAGE PERFORMANCE
AND RIGHT TOOL FOR EVENT RENTAL APPLICATION



PRECISION DRIVE

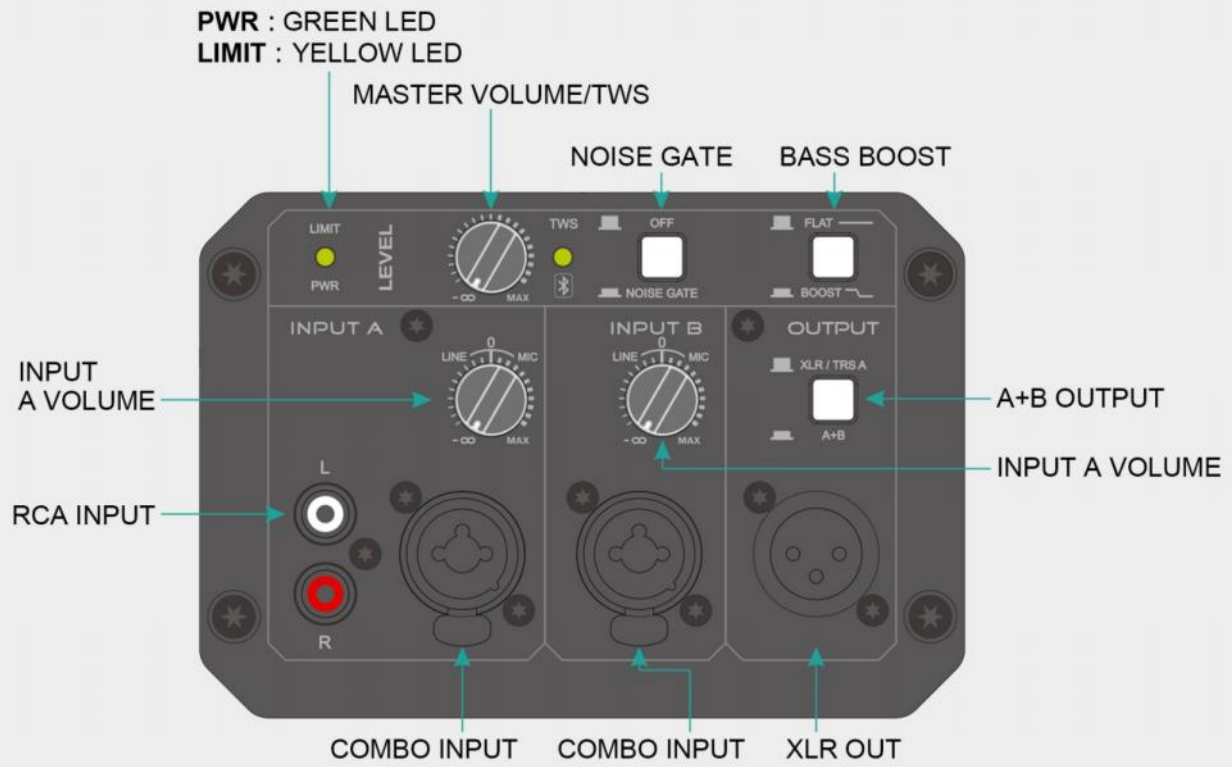
ALL DIRECTIONAL CONNECTIVITY POLE DESIGN

SYMMETRICAL SIGNAL CONNECTING CENTER POLE
ALL DIRECTIONS ABLE BETWEEN COLUMN AND SUB

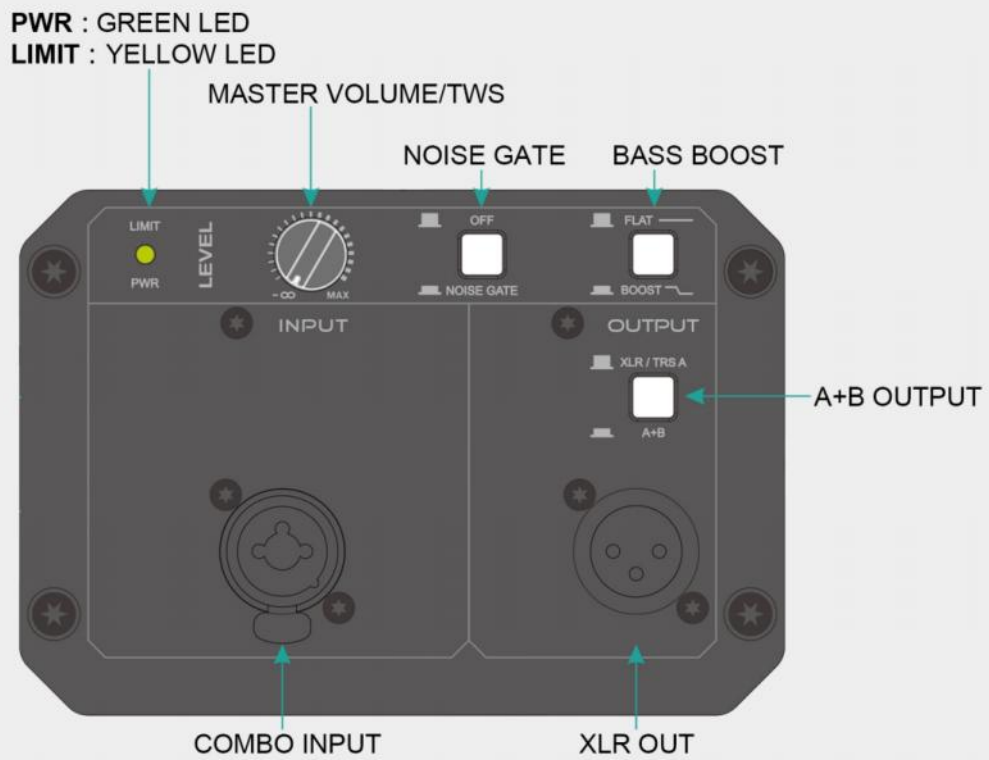


PRECISION DRIVE

SC1503 PANEL LAYOUTS



SIMPLIFIED LAYOUT



DOUBLE LAYER HEAT SINK

LATEST AMPLIFIER MODULE DESIGN
SOLVING HEAT ISSUE. THUS IMPROVING
PERFORMANCE STABILITY AND RELIABILITY



BLUETOOTH®

Bluetooth 5.0 connection

TWS

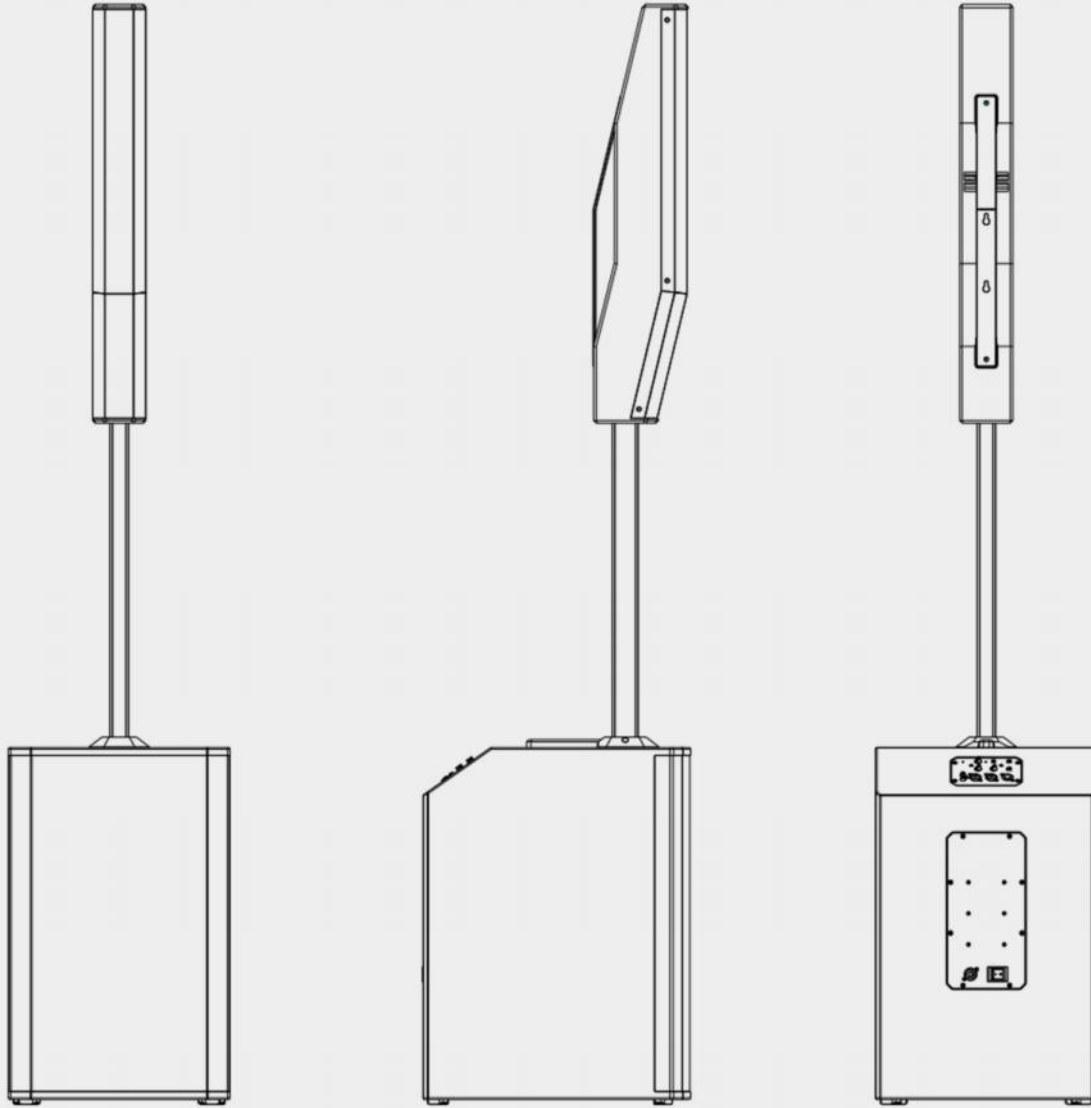
True Wireless Stereo function

LINE IN/OUT

Balance Input routing to Balance Output without going thru DSP for distortion free parallel connection



PRECISION DRIVE

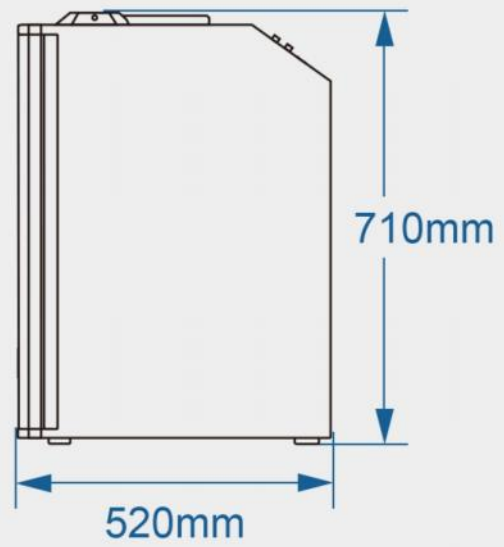
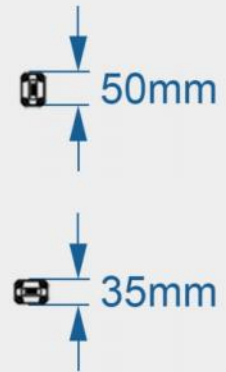


Model:		SC1503	
Frequency range(-3dB):	38Hz-20KHz	Function & effects: Noise gate Bass Boost	
System design:	15" vented		
HF design:	8X3.5" line source with phase plug		
LF Driver:	15" woofer	Cabinet:	Lightweight Plywood
HF Driver:	3.5"Neo full range	Grille:	Powder coated steel
Max SPL:	130dB	Mains:	90-130V&170-260V 50/60Hz
Coverage(H*V):	140°*40°	Dimension(WxHxD):	SUB:428*708*516mm
Power rating:	600W+600W RMS		Column:103*800*182mm
Crossover frequency:	4th / 200 Hz DSP		Pole:36*800*50mm
Input/output:	2x XLR/TRS Combo Jack Input		Total height:2120mm
	1x RCA Input	Package dimension:	Column+Pole:870*310*175mm
	1x Wireless Bluetooth Audio Input		SUB:600*500*775mm
	1x XLR THRU Output	Net weight:	Column:4.6Kg Pole:0.9Kg SUB:17Kg
	Bluetooth TWS	Gross weight:	Column+Pole:6.9KG SUB:20.5 KG



PRECISION DRIVE

PHYSICAL-SC1503



Net weight: 22.5kg

Gross weight: 27.4kg



PRECISION DRIVE