

EN108/EN112/EN112M/EN118

COMPACT, LIGHTWEIGHT,
HIGH OUTPUT, EASY TO USE

ADVANCED ACTIVE LOUDSPEAKER



PRECISION DRIVE

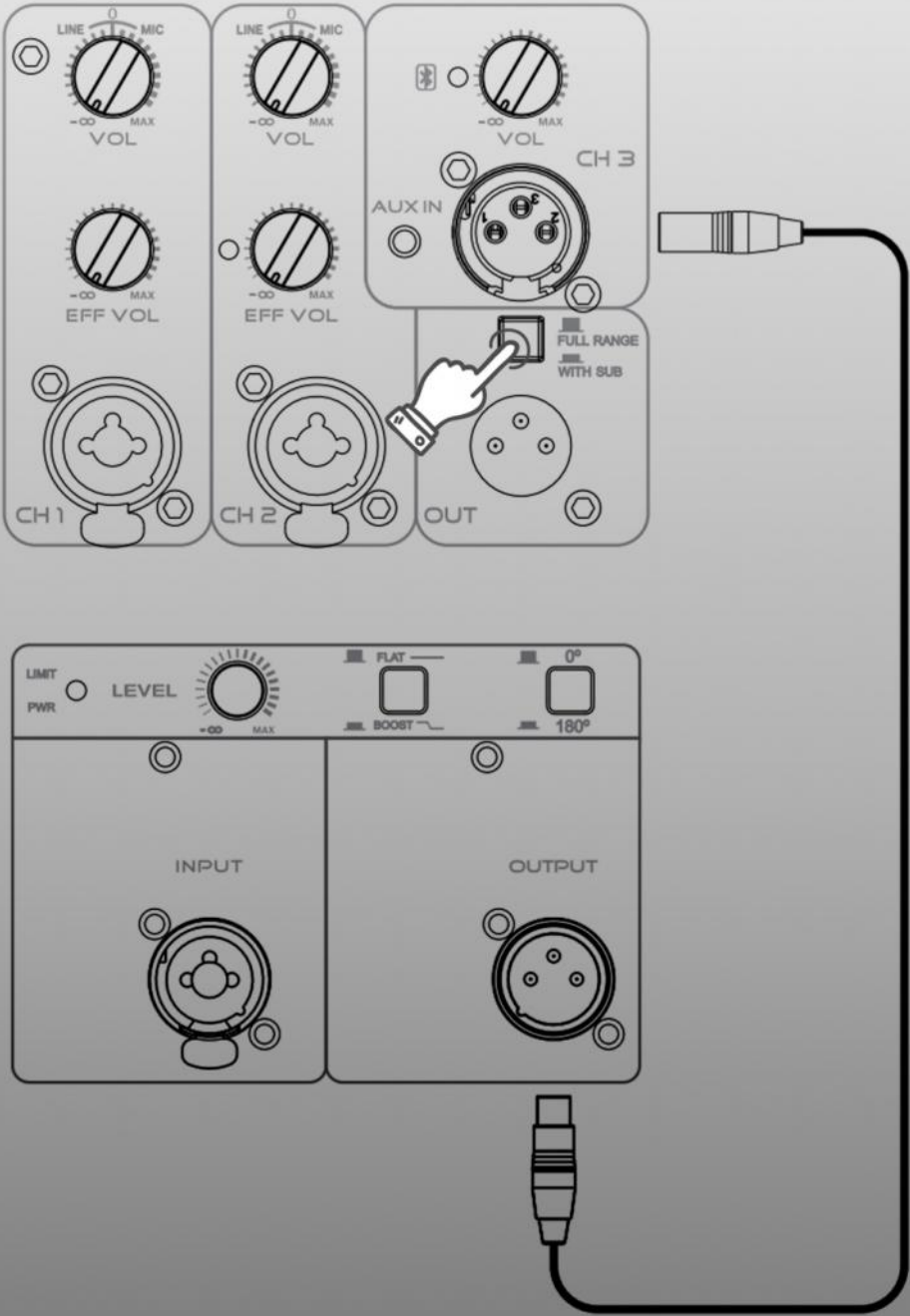
DSP ON-BOARD FOR SIMPLE OPERATION

EN108/EN112/EN112M/EN118 CAN WORK TOGETHER BY SIMPLE OPERATION ACHIEVE LOUDER AND MUCH WIDER FREQUENCY RANGE FOR DYNAMIC MUSIC PERFORMANCE



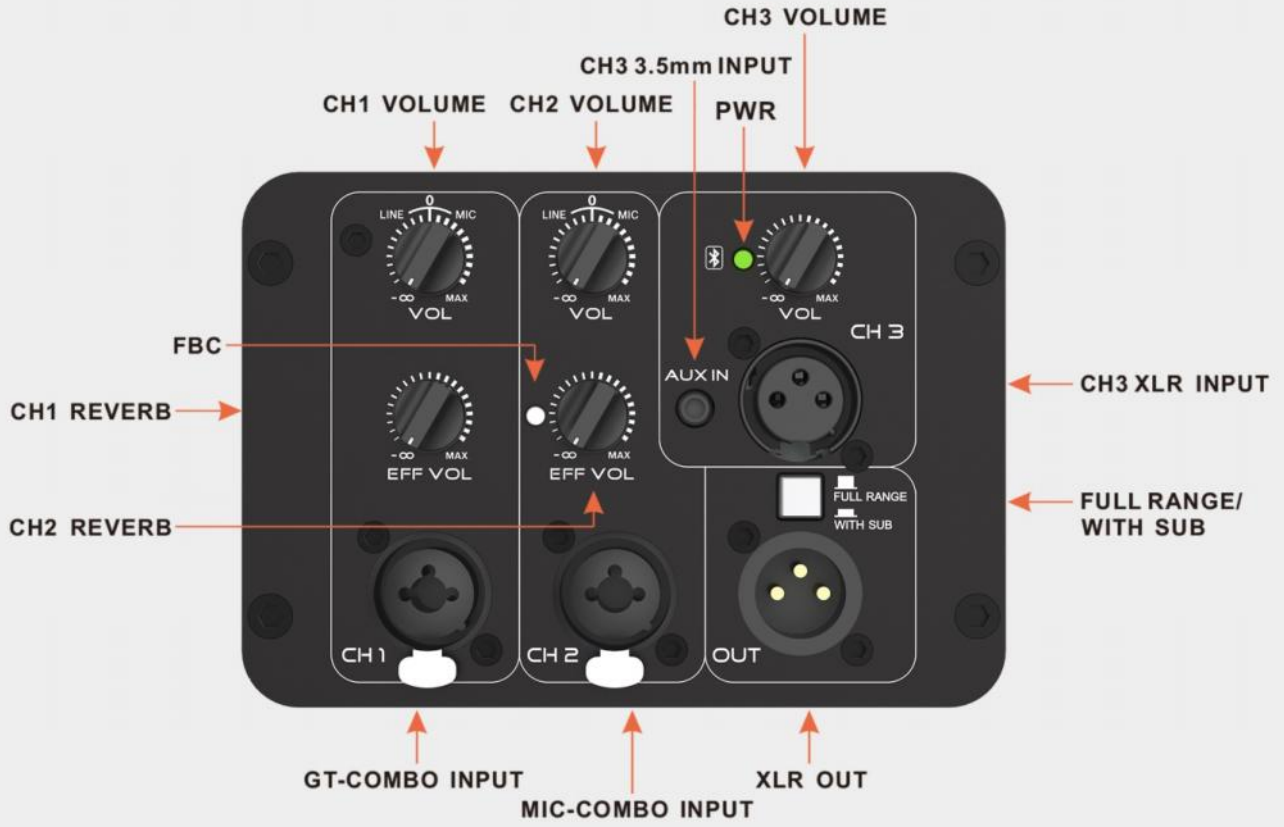
PRECISION DRIVE

ONE BUTTON OPERATION FOR CROSSOVER WITH SUBWOOFER

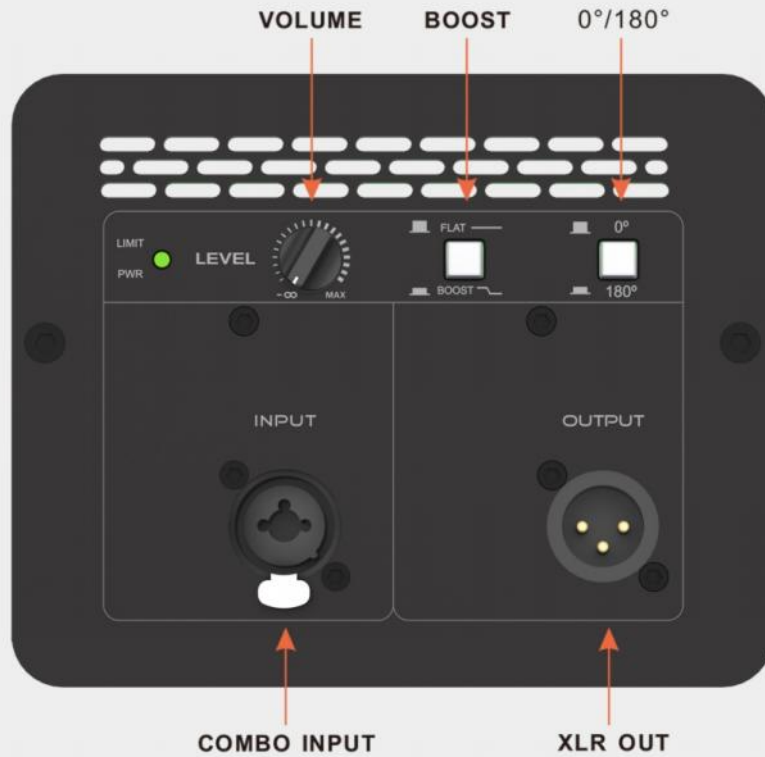


PRECISION DRIVE

EN108/EN112/EN112M



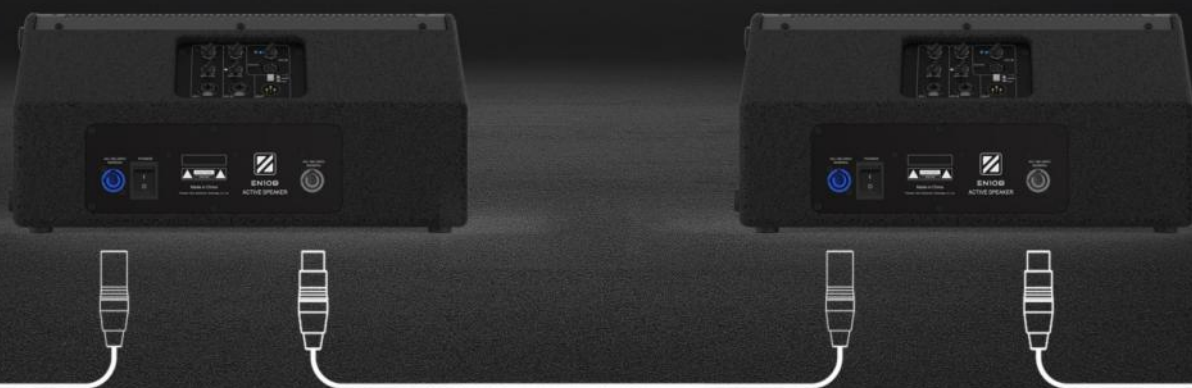
EN118



PRECISION DRIVE

EN108/EN112M

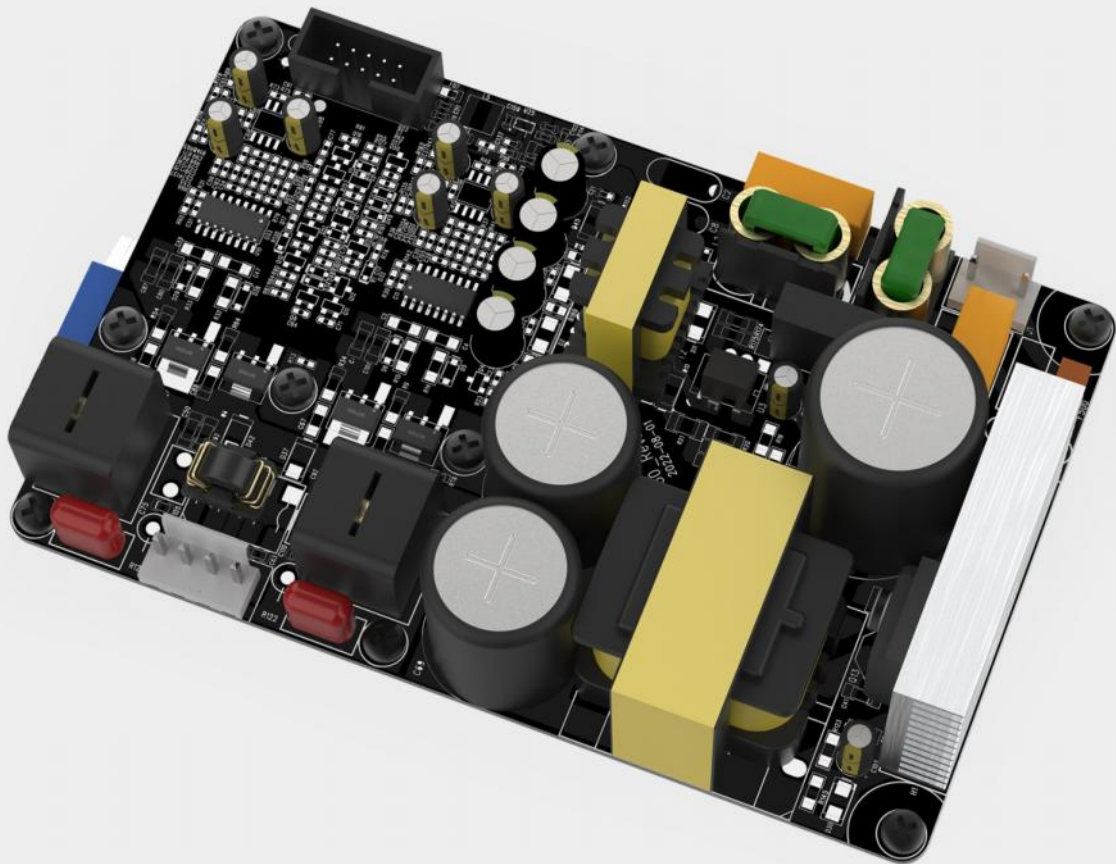
POWERCON SOCKET FOR DAISY-CHAIN POWER SUPPLY



PRECISION DRIVE

HIGH EFFICIENT CLASS D AMP

ALL NEWLY DESIGNED UNIVERSAL MAINS INPUT
1600 WATTS PEAK POWER AMP MODULE
NOT ONLY LIGHTWEIGHT AND POWERFUL BUT ABLE TO
WORK FROM -20°C TO 50°C WITHOUT ANY PROBLEM



BLUETOOTH® DSP

BLUETOOTH 5.0 FOR
MORE CONVENIENT
CONNECTION .

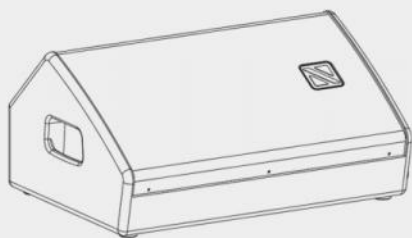
1MS LATENCY, 24 BIT 96KHZ
DSP PROCESSOR FOR FEED-
BACK SUPPRESSION AND PRO-
FESIONAL REVERBRATION, AS
WELL AS LIMITER FOR AMP
AND TRANSDUCER PROTEC-
TION .

FULL RANGE / WITH SUB

SIMPLE ONE-BUTTON-OPERATION
TO WORK WITH EN SERIES SUB,
TO ACHIEVE EXTENDED LOW END
AND HIGHER SPL .

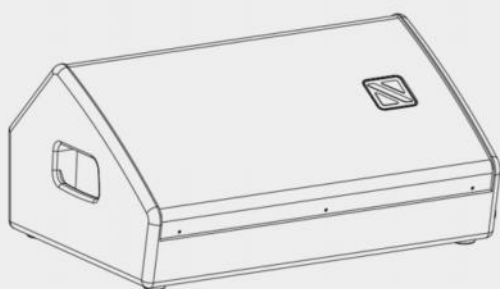


PRECISION DRIVE



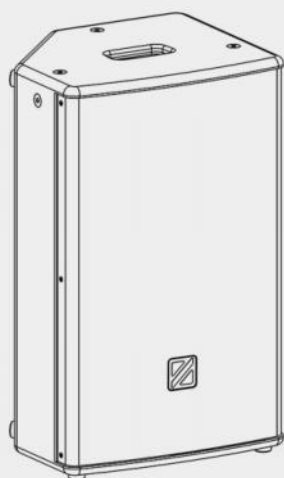
EN108

FREQ RANGE	58HZ-20KHZ
MAX SPL	124dB
LF DESIGN	8" VENTED
HF DESIGN	HORN LOADED
POWER	300W+100W RMS
CROSSOVER	4TH/2200HZ,DSP



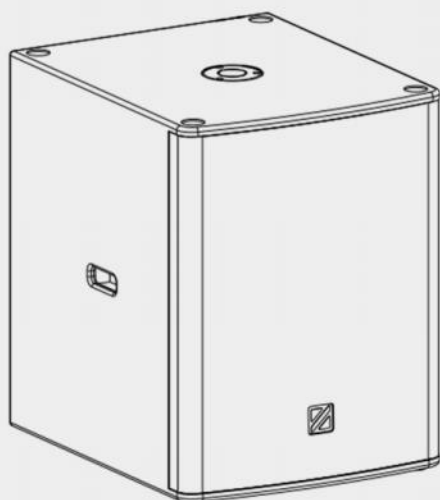
EN112M

FREQ RANGE	50Hz-20KHz
MAX SPL	127dB
LF DESIGN	12" VENTED
HF DESIGN	HORN LOADED
POWER	300W+100W RMS
CROSSOVER	4th/1.7KHz,DSP



EN112

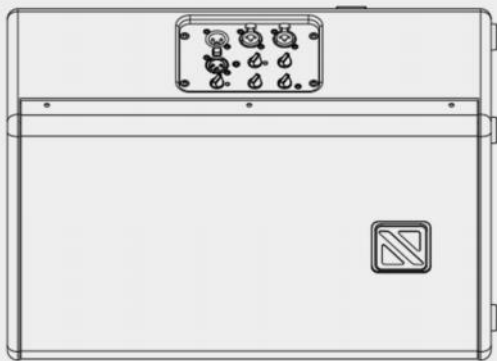
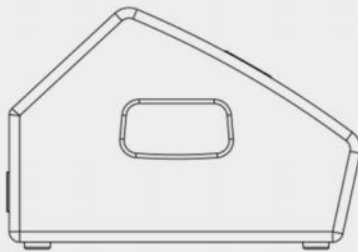
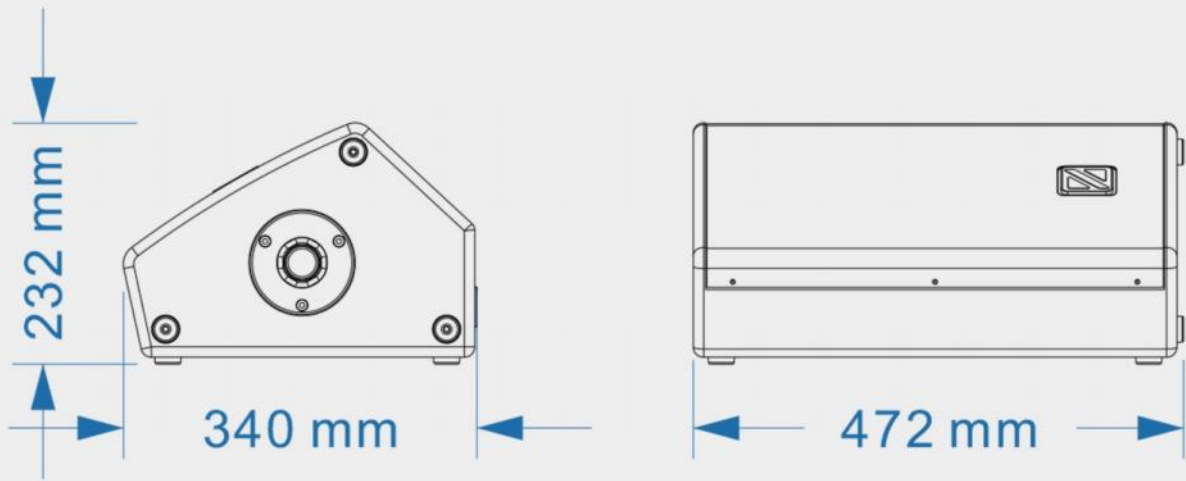
FREQ RANGE	50Hz-20KHz
MAX SPL	127dB
LF DESIGN	12" VENTED
HF DESIGN	HORN LOADED
POWER	300W+100W RMS
CROSSOVER	4th/1.7KHz,DSP



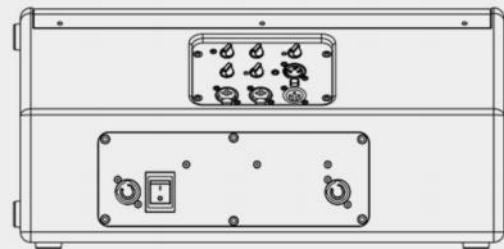
EN118

FREQ RANGE	38Hz-100Hz
MAX SPL	132dB
LF DESIGN	18" VENTED
HF DESIGN	NA
POWER	400WRMS
CROSSOVER	4th/100Hz,DSP

PHYSICAL DIMENSION-EN108



NET WEIGHT: 6.7kg

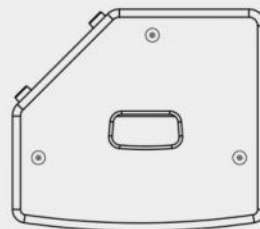
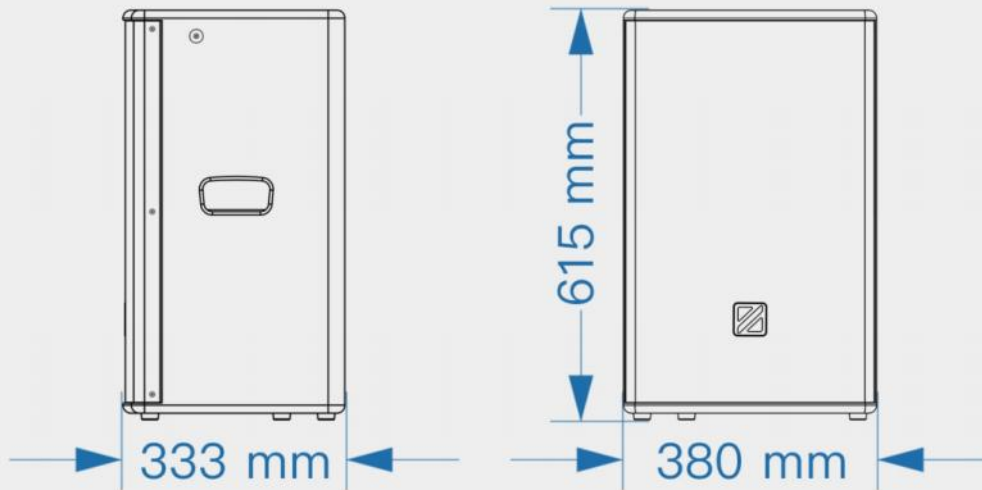
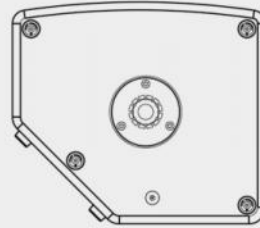
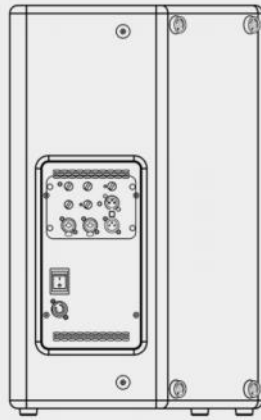


GROSS WEIGHT: 7.5kg



PRECISION DRIVE

PHYSICAL DIMENSION-EN112



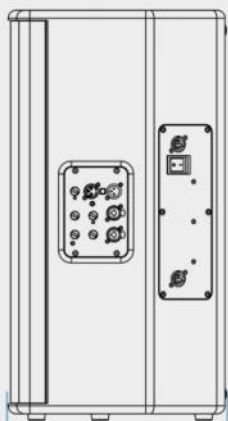
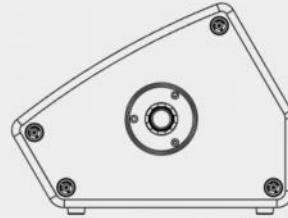
NET WEIGHT: 13kg

GROSS WEIGHT: 14.5kg

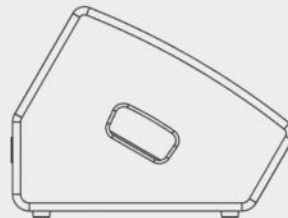
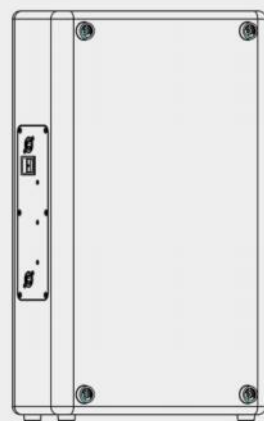
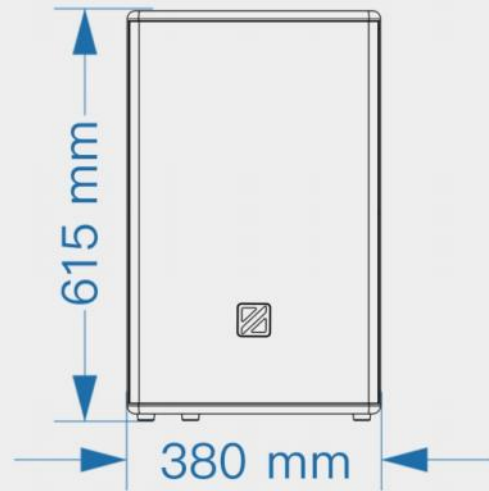


PRECISION DRIVE

PHYSICAL DIMENSION-EN112M



324.8 mm



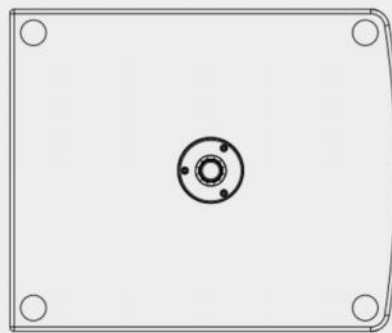
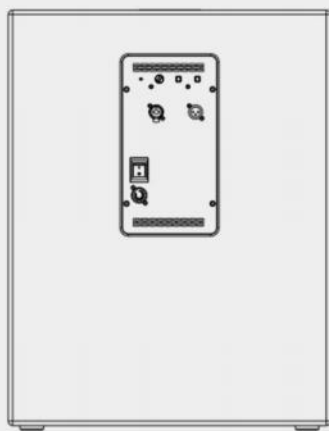
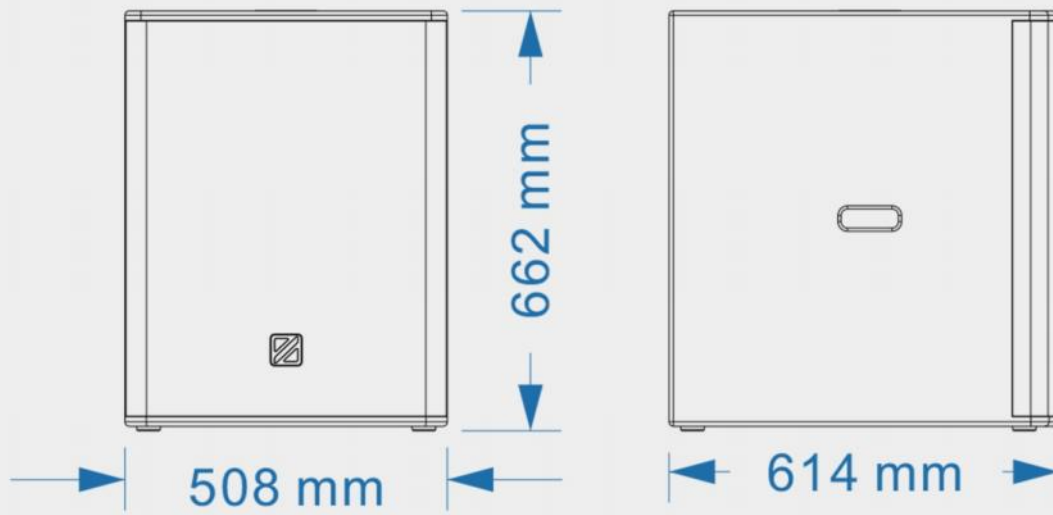
NET WEIGHT: **12kg**

GROSS WEIGHT: **13.5kg**



PRECISION DRIVE

PHYSICAL DIMENSION-EN118



NET WEIGHT: **21.5kg**

GROSS WEIGHT: **23kg**



PRECISION DRIVE